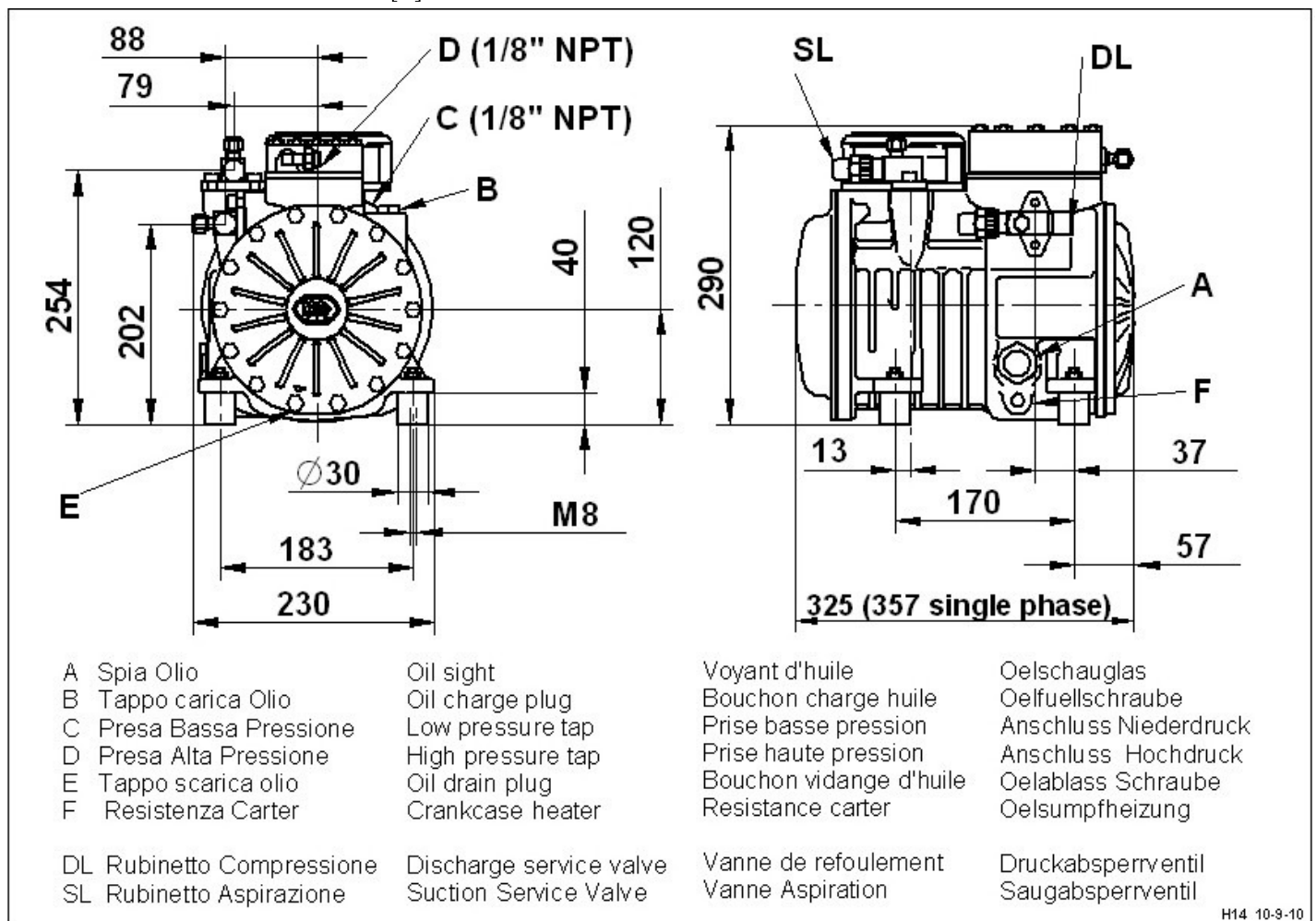


H200CS

| Description | Value |
|---|-------|
| displacement 50 Hz [m ³ /h] | 9,88 |
| displacement 60 Hz [m ³ /h] | 11,86 |
| cylinders | 2 |
| bore [mm] | 42 |
| stroke [mm] | 41 |
| suction valve [mm] | 18 s. |
| discharge valve [mm] | 16 s. |
| oil charge [kg] | 1,0 |
| net weight [kg] | 40 |
| FLA 220-240/3/50 250-280/3/60 delta [A] | 7.6 |
| FLA 380-420/3/50 440 480/3/60 star [A] | 4.4 |
| FLA 380-420/3/50 440 480/3/60 PWS [A] | - |
| LRA 220-240/3/50 250-280/3/60 delta [A] | 34.6 |
| LRA 380-420/3/50 440-480/3/60 star [A] | 20.0 |
| LRA 380-420/3/50 440-480/3/60 PWS [A] | - |



1LTG664-05 _ Istruzioni Operative Compressori Semiermetici / Operating
Instructions Semi Hermetic Compressors



1LTZ010_SEH_1209_Catalogo Compressori Semiermetici



© 2011 Dorin S.p.A. Via Aretina, 388 - 50061 Compiobbi (FI), Italy Tel: +39-055-62321.1 Fax: +39-055-62321.380 R.I. FI N. 00426510483 R.E.A.
FI N. 1989 - Export FI024104 P.I. IT 00426510483 C.S. 3.960.000,00 € i.v. Soc. Del Gruppo FINANZIARIA GIGLIO SRL R.I. FI 05820220159