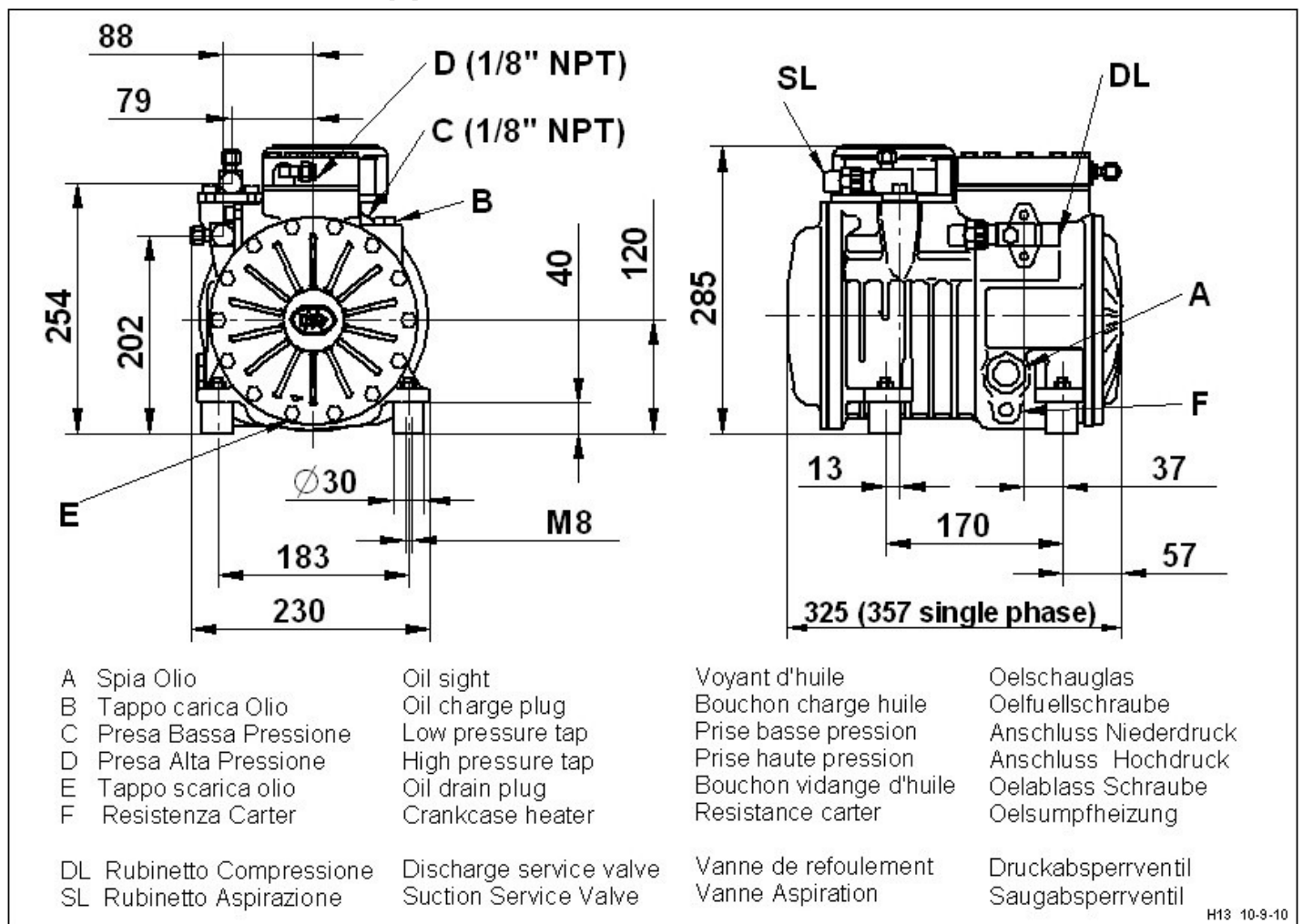


H180CS

Description	Value
displacement 50 Hz [m ³ /h]	8,47
displacement 60 Hz [m ³ /h]	10,16
cylinders	2
bore [mm]	44
stroke [mm]	32
suction valve [mm]	16 s.
discharge valve [mm]	12 s.
oil charge [kg]	1,0
net weight [kg]	39
FLA 220-240/3/50 250-280/3/60 delta [A]	7.6
FLA 380-420/3/50 440 480/3/60 star [A]	4.4
FLA 380-420/3/50 440 480/3/60 PWS [A]	-
LRA 220-240/3/50 250-280/3/60 delta [A]	34.6
LRA 380-420/3/50 440-480/3/60 star [A]	20.0
LRA 380-420/3/50 440-480/3/60 PWS [A]	-



Description

1LTG664-05 _ Istruzioni Operative Compressori Semiermetici / Operating
Instructions Semi Hermetic Compressors

1LTZ010_SEH_1209_Catalogo Compressori Semiermetici

Download